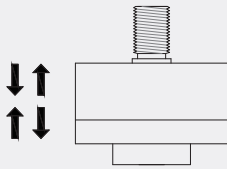


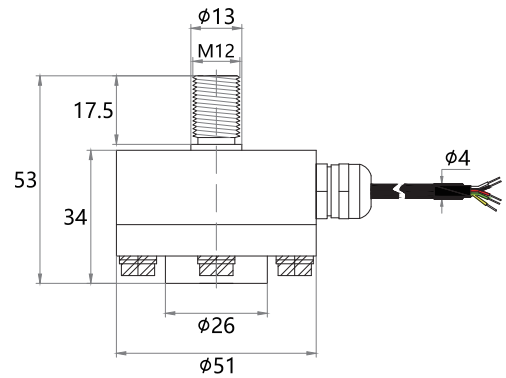
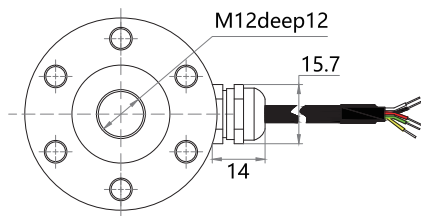
LFT-51KA



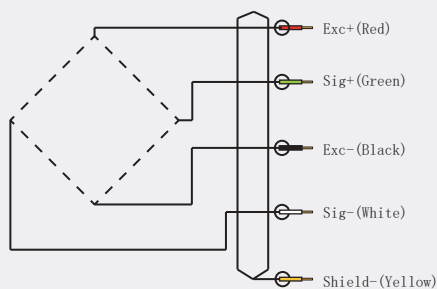
Load Direction



Product Dimension



Wiring Diagram

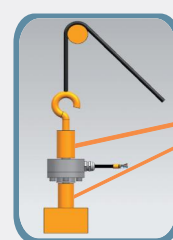
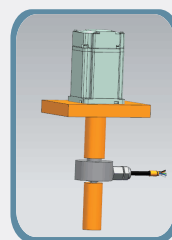


Specifications

Capacity	0 ~ 50, 100, 200, 300, 500, 1000, 2000kg
Material	Stainless Steel
Rated Output	2.0 ± 10% mV/V
Zero Balance	± 2 % F.S.
Non-linearity	± 0.2% F.S.
Hysteresis	± 0.2% F.S.
Repeatability	± 0.2% F.S.
Creep (30min)	± 0.05% F.S.
Temp. Effect on Output	± 0.05% F.S. / 10°C
Temp. Effect on Zero	± 0.05% F.S. / 10°C
Input Impedance	385 ± 10 Ω
Output Impedance	350 ± 5 Ω
Insulation	≥5000MΩ / 100VDC
Recommended Excitation	5 ~ 10V
Operating Temp. Range	- 20 ~ 80 °C
Compensated Temp. Range	- 10 ~ 60 °C
Safe Overload	150%
Maximum Overload	200%
Cable Specifications	Ø 4 x 3m
Protection Class	IP65
TEDS Available	

Installation Mode

Screw Mounted



Higher coaxiality & concentricity is required