

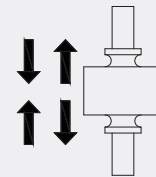
Specifications

Capacity	0 ~ 5, 10, 20, 30, 50kg
Material	Stainless Steel
Rated Output	1.0 ~ 1.5 mV/V
Zero Balance	± 2 % F.S.
Non-linearity	± 0.5% F.S.
Hysteresis	± 0.5% F.S.
Repeatability	± 0.5% F.S.
Creep (30min)	± 0.1% F.S.
Temp. Effect on Output	± 0.1% F.S. / 10°C
Temp. Effect on Zero	± 0.1% F.S. / 10°C
Input Impedance	350 ± 10 Ω
Output Impedance	350 ± 5 Ω
Insulation	≥5000M Ω/100VDC
Recommended Excitation	3 ~ 5V
Operating Temp. Range	- 20 ~ 80 °C
Compensated Temp. Range	- 10 ~ 60 °C
Safe Overload	150%
Maximum Overload	200%
Cable Specifications	∅ 2 x 3m
Protection Class	IP65
TEDS Available	

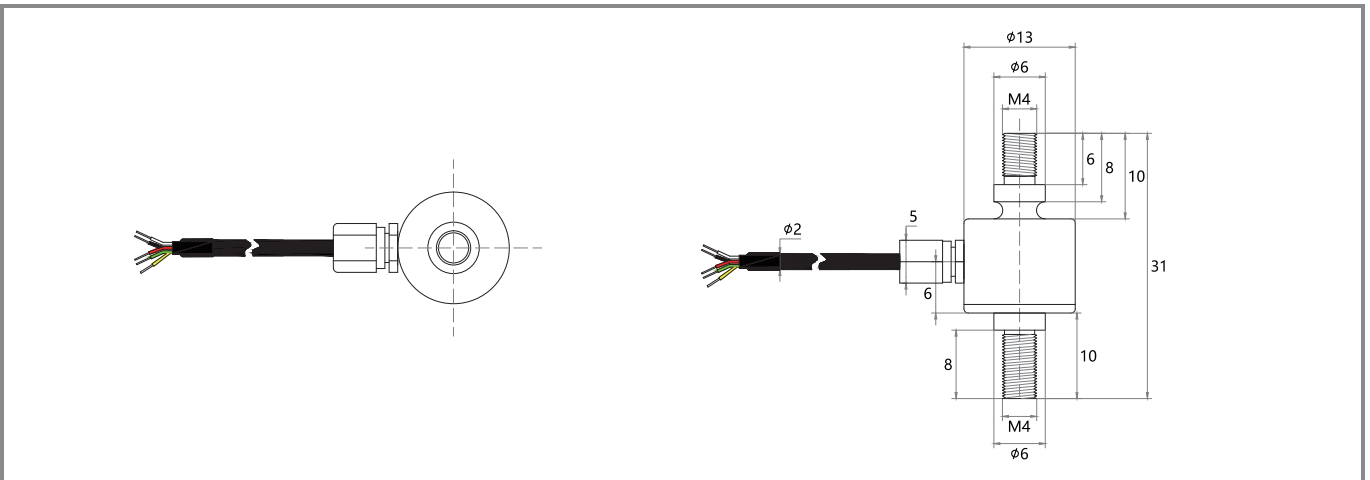
LFT-13B



Load Direction

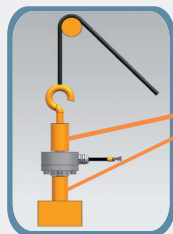
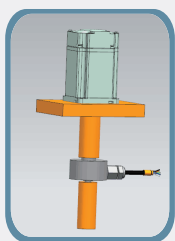


Product Dimension



Installation Mode

Screw Mounted



Higher coaxiality
& concentricity
is required

Wiring Diagram

