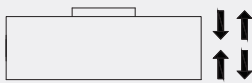


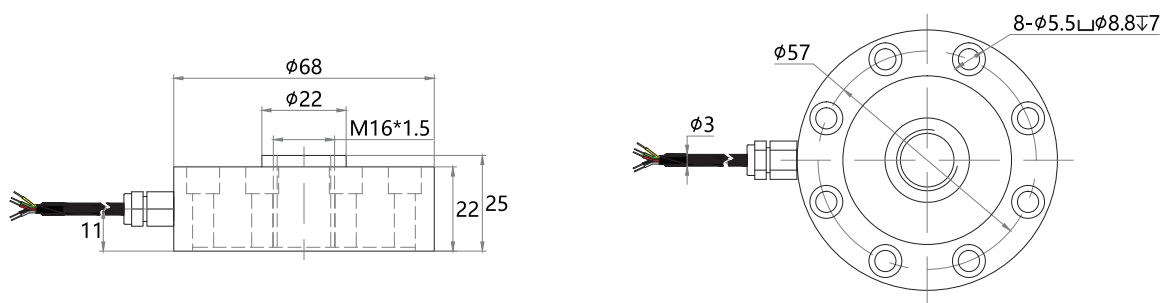
LFC-68



Load Direction



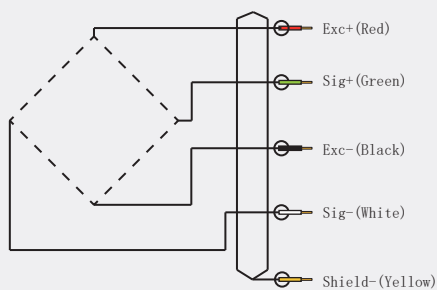
Product Dimension



Specifications

Capacity	0 ~ 0.2, 0.3, 0.5, 1, 2, 3t
Material	Alloy steel/Stainless Steel
Rated Output	2.0 ± 10% mV/V
Zero Balance	± 2 % F.S.
Non-linearity	± 0.05 ~ 0.1% F.S.
Hysteresis	± 0.05% F.S.
Repeatability	± 0.05% F.S.
Creep (30min)	± 0.05% F.S.
Temp. Effect on Output	± 0.05% F.S. / 10°C
Temp. Effect on Zero	± 0.05% F.S. / 10°C
Input Impedance	750 ± 10 Ω
Output Impedance	700 ± 5 Ω
Insulation	≥5000M Ω / 100VDC
Recommended Excitation	10V
Operating Temp. Range	- 20 ~ 80 °C
Compensated Temp. Range	- 10 ~ 60 °C
Safe Overload	150%
Maximum Overload	200%
Cable Specifications	Ø 3 x 3mm
Protection Class	IP65
TEDS Available	

Wiring Diagram



Installation Mode

Screw Mounted

Compression Bar/ Ball Screw

Coaxial up & down fixing parts is required

Load Bearing Base

